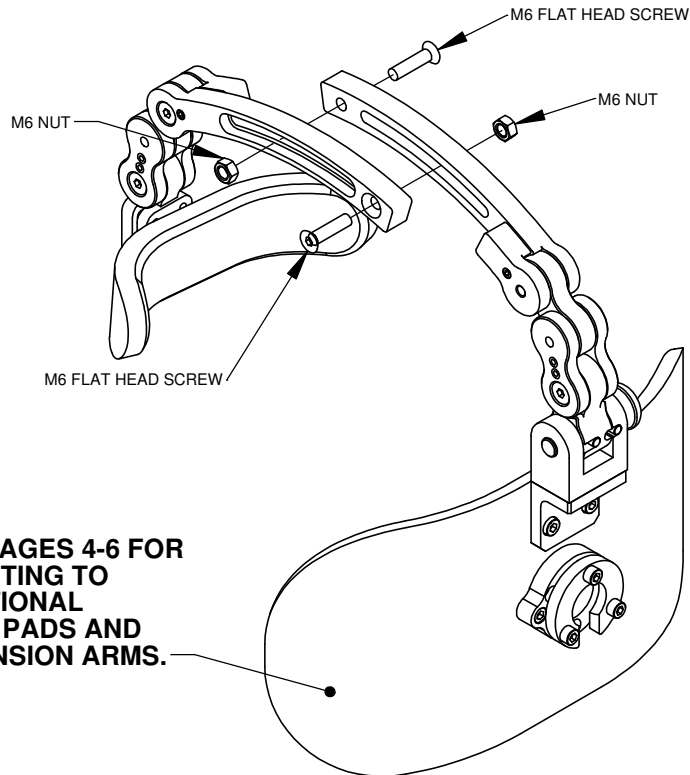
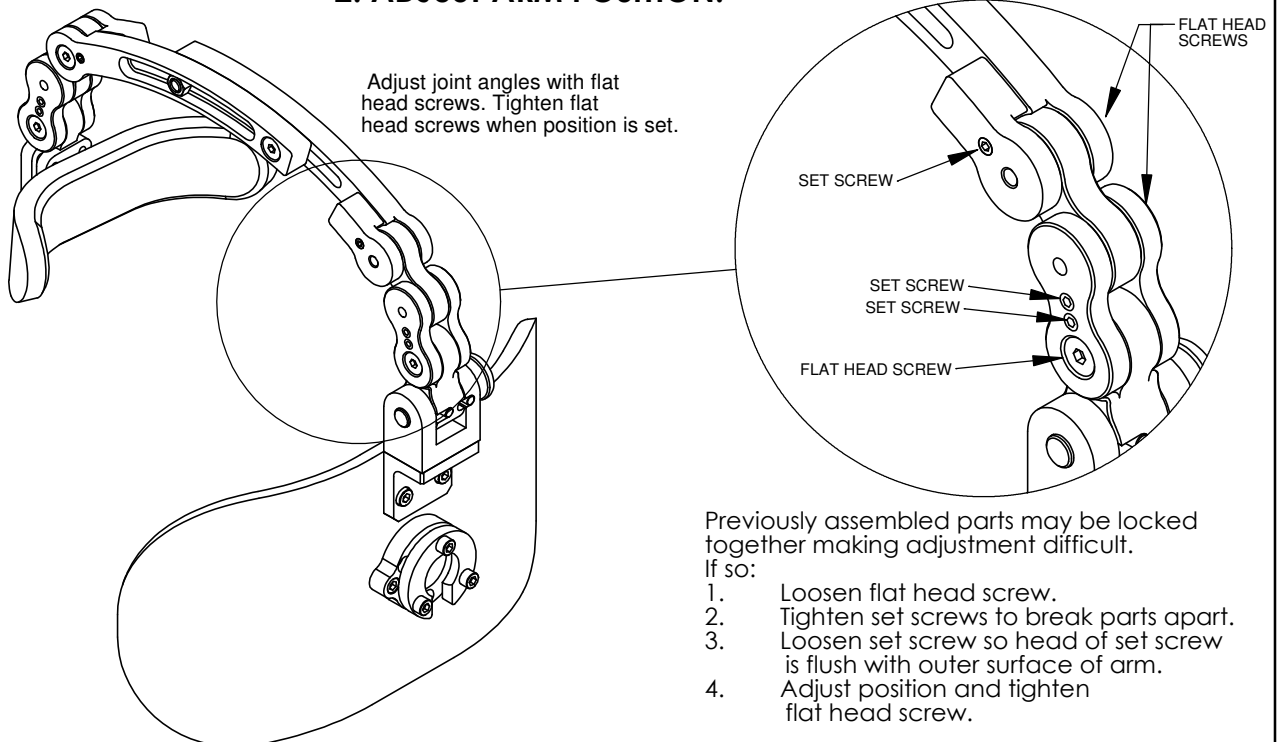


INSTRUCTIONS - ADJUSTABLE FOREHEAD STABILIZER - SRAFS

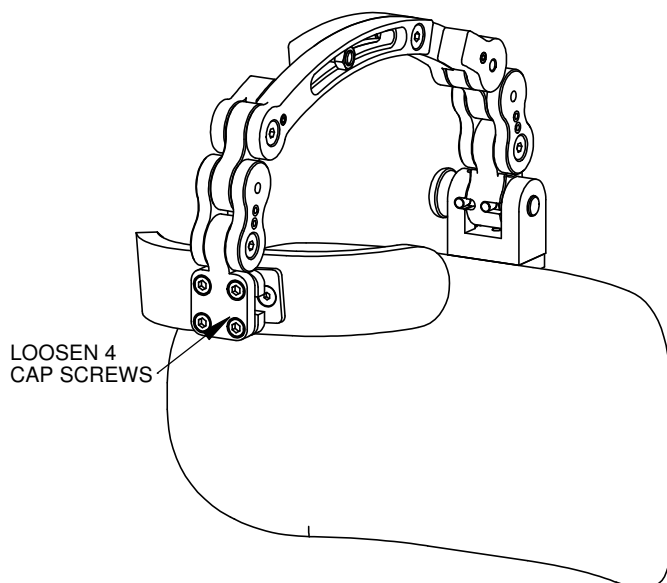
1. SET ARM LENGTH AND CONNECT ARMS WITH M6 FLAT HEAD SCREWS AND NUTS.



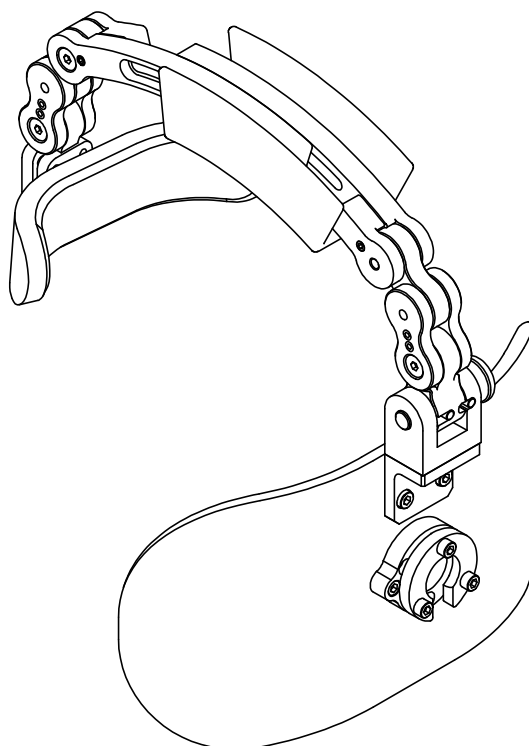
2. ADJUST ARM POSITION.



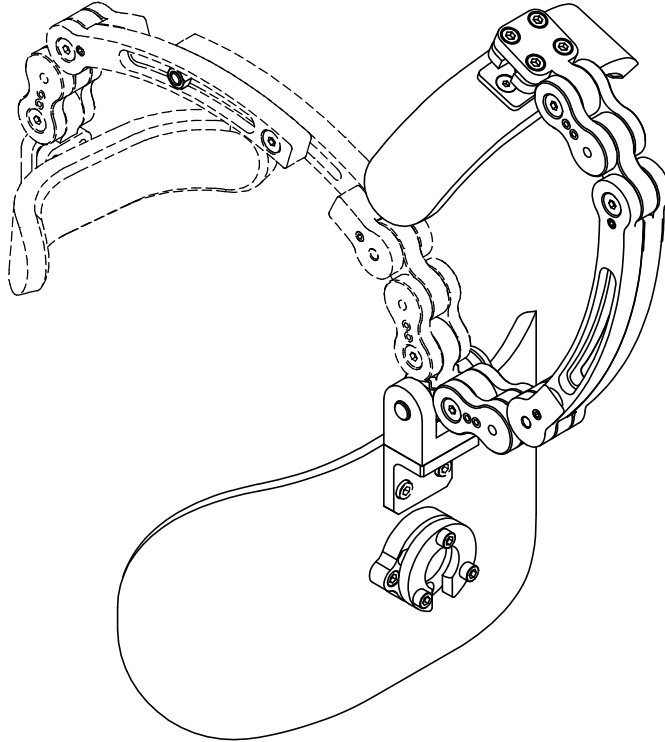
3. ADJUST FOREHEAD BALL.



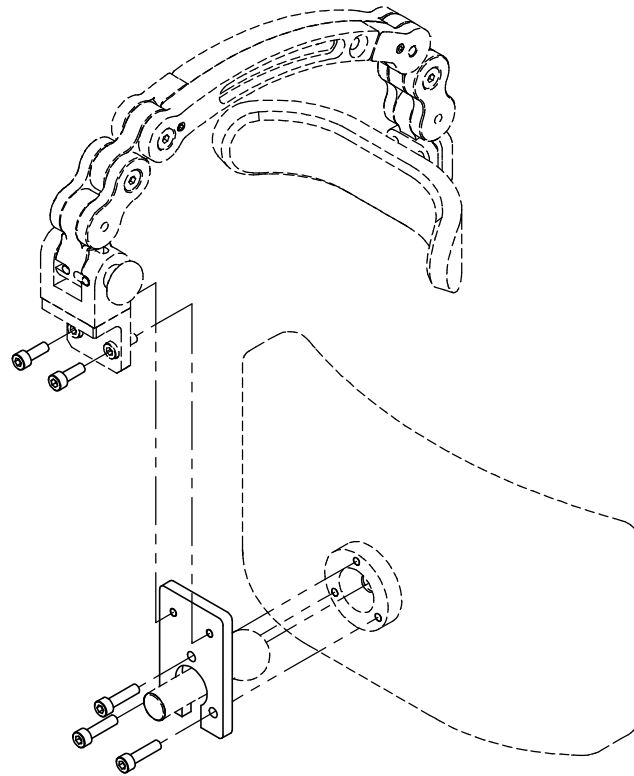
4. INSTALL GEL WRAP AROUND ARM.



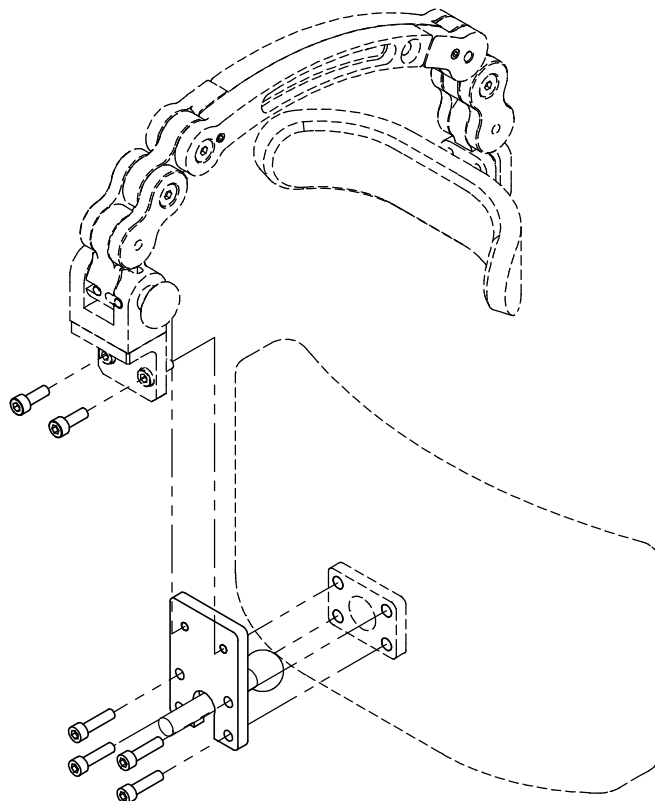
5. FLIP BACK.



HEAD PAD ADAPTER KITS

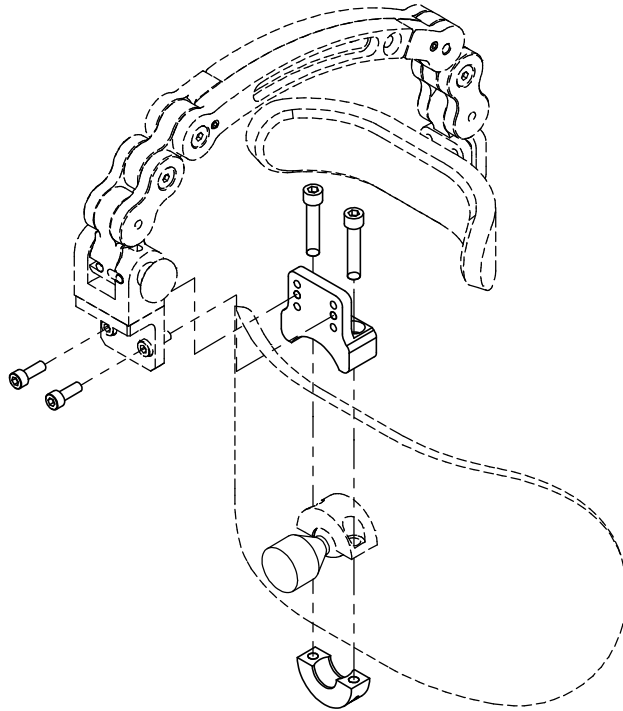


SRFSMB FOR 1" BALL / 3 SCREW MOUNTING

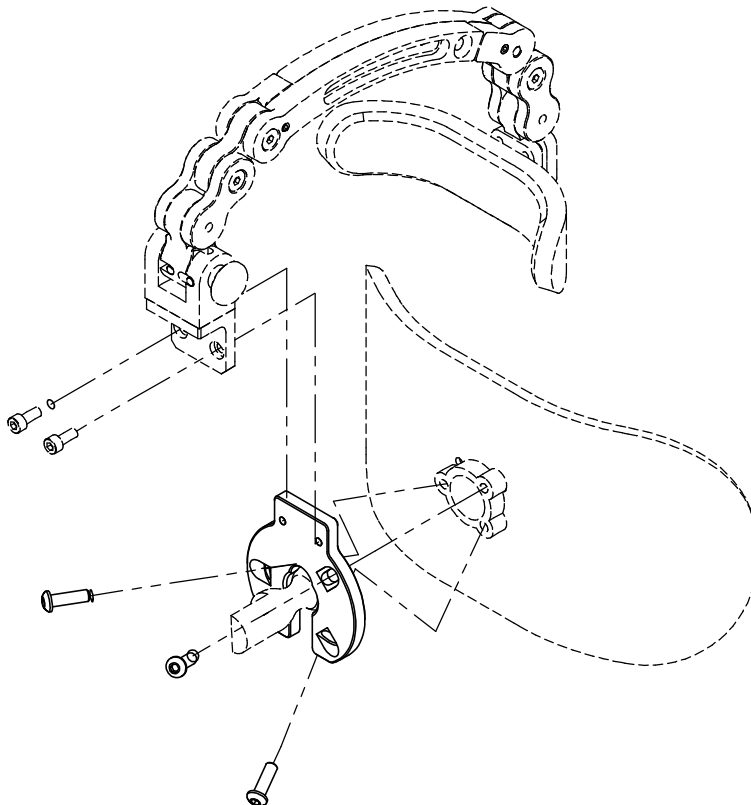


SRFSMBS FOR 3/4" BALL / 4 SCREW MOUNTING

HEAD PAD ADAPTER KITS (CONTINUED)

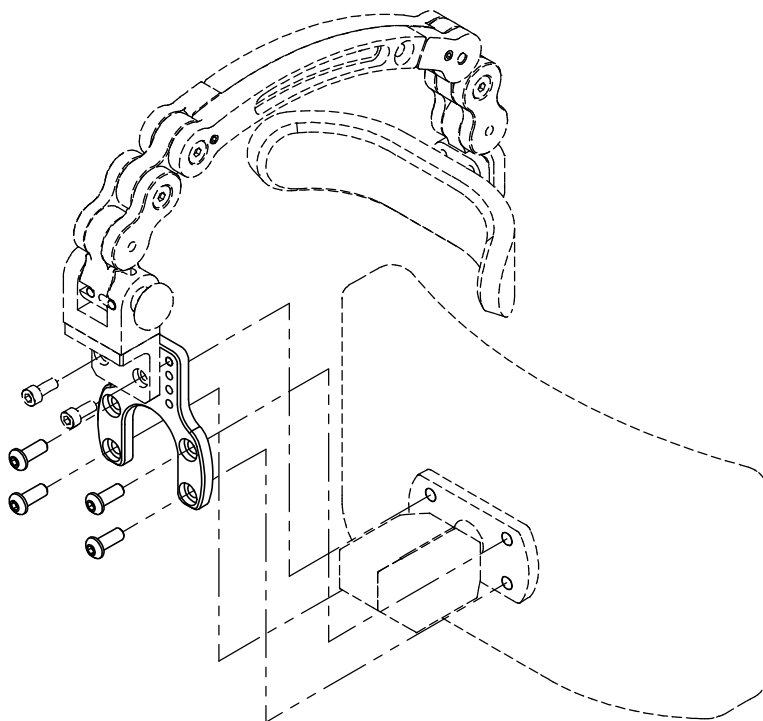


SRFSMBW FOR WHITMYER 3/4" BALL



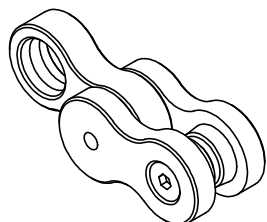
SRFSMBC4 FOR COMFORT COMPANY 1" BALL

HEAD PAD ADAPTER KITS (CONTINUED)



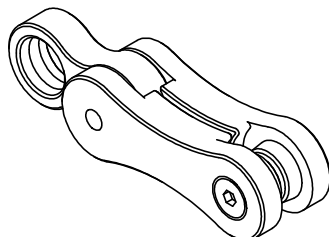
SRFSMBP FOR PERMOBIL LINK HARDWARE

EXTENSION ARMS



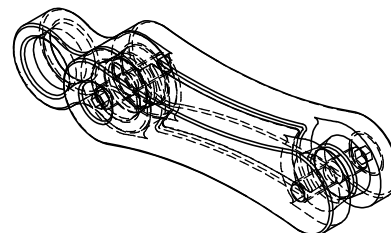
1" EXTENSION

SRLL1



2" EXTENSION

SRLL2



3" EXTENSION

SRLL3